

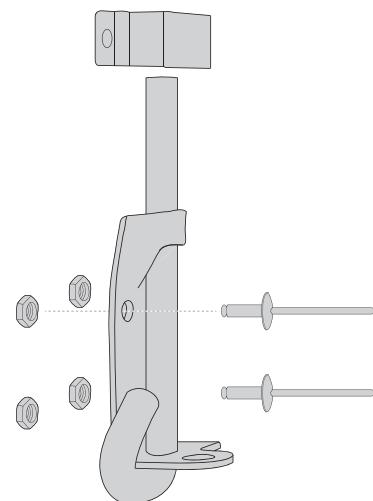
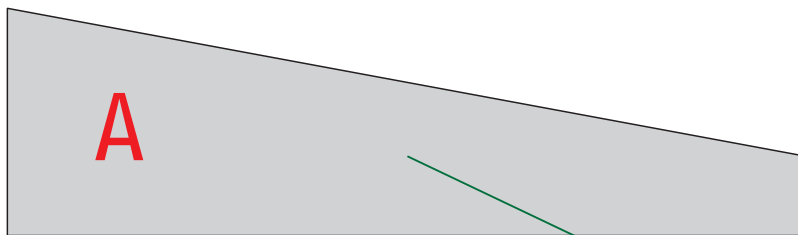
## Doors in sloping end wall

# ASSEMBLY INSTRUCTIONS

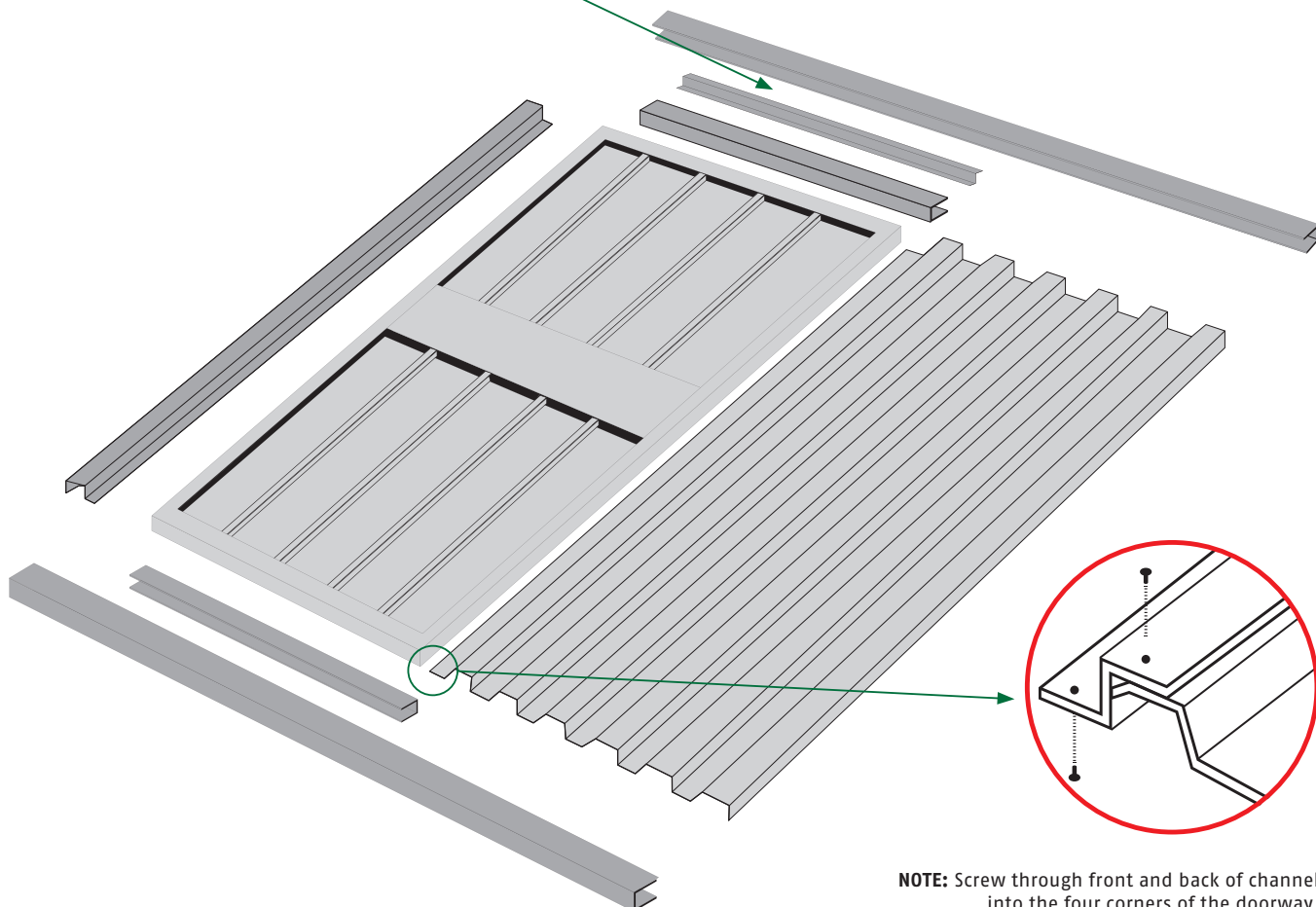


Please read these instructions in conjunction with your standard shed instructions

1. Layout doors and sheets appropriate for your customised shed.
2. Fit top channel to angle cut sheets (or corner door jamb if door on corner, as below) to follow the angle to peak at one end. Fit bottom channel as standard. Measure opposite end wall to make sure both end walls end up the same height at the peak. Attach to sheets where possible according to standard shed instructions.
3. Fit top door spacer between door jambs approx 10mm above the top of the doors. Fix to door jambs at each end.
4. Place bolts supplied between the interior of the shed wall and the padbolt to ensure that it does not catch on the 'Z' piece. (SEE NOTE).
5. Attach (A) flat sheet to top channel, door jambs and door spacer around the perimeter at approximately 300mm centres.
6. Finish as per standard instructions where necessary.



**NOTE:** Place bolts supplied between the interior of the shed wall and the padbolt to ensure that it does not catch on the 'Z' piece.



**NOTE:** Screw through front and back of channel into the four corners of the doorway.