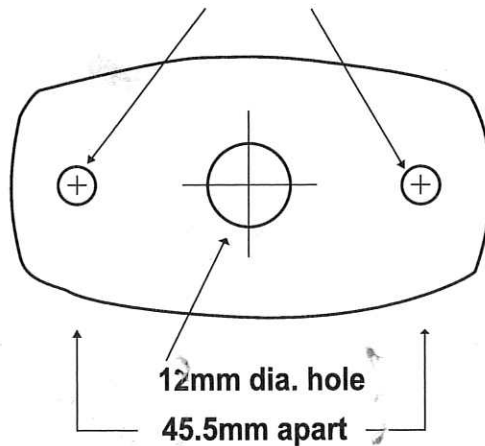


LOCKING T HANDLE

FIXING INSTRUCTIONS

- 1 Handle base can be mounted vertically or horizontally.
- 2 Use templates to mark out and drill holes for mounting - **Rear fix** bases will need 8mm drill for lugs then 5mm for bolts. **Front fix** bases need 6mm holes for bolts. Drill 12mm hole for shaft to go through. A stepped drill works well for panel steel.
- 3 Ensure handle is close enough to edge of door so latch reaches behind door frame. Also check that handle will clear any internal braces on door.
- 4 Fit handle with fasteners provided. Note: Wooden doors may require longer (depending on thickness of timber) fasteners of similar diameter. Rear fix bases don't have internally threaded lugs as the bolts/screws cut their own thread as you screw them in. Therefore most 5mm / 10 gauge or 3.16" bolt/screws of suitable length can be used.
- 5 For **Garden Shed Kits** - fit interior latch arm and adjust to suit.

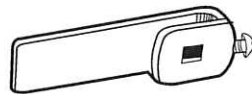
Two 6mm dia. holes for front fix
or 5 and 8mm holes for rear fix base



Heller Locking T Handles can be supplied with:

- 'Front' or 'Rear' fixed base.
- Vertical or horizontal base.
- 50, 60, 75 or 100mm shaft length.
- Non locking, left turning and keyed alike.

Also available:



Latch arm REF: HMLA2



Latch handle REF: HMLH2

Proudly made in New Zealand by Heller Manufacturing